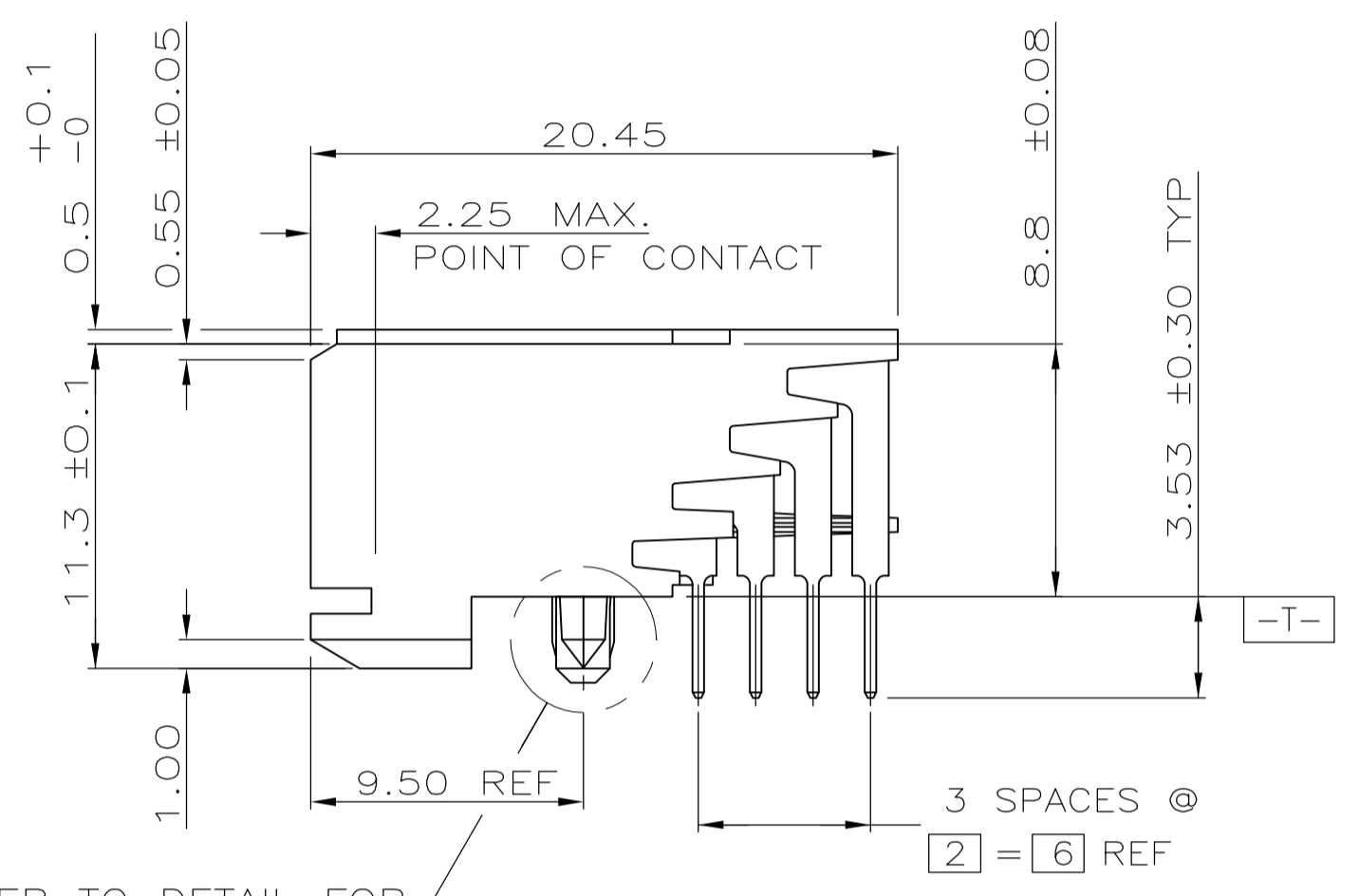
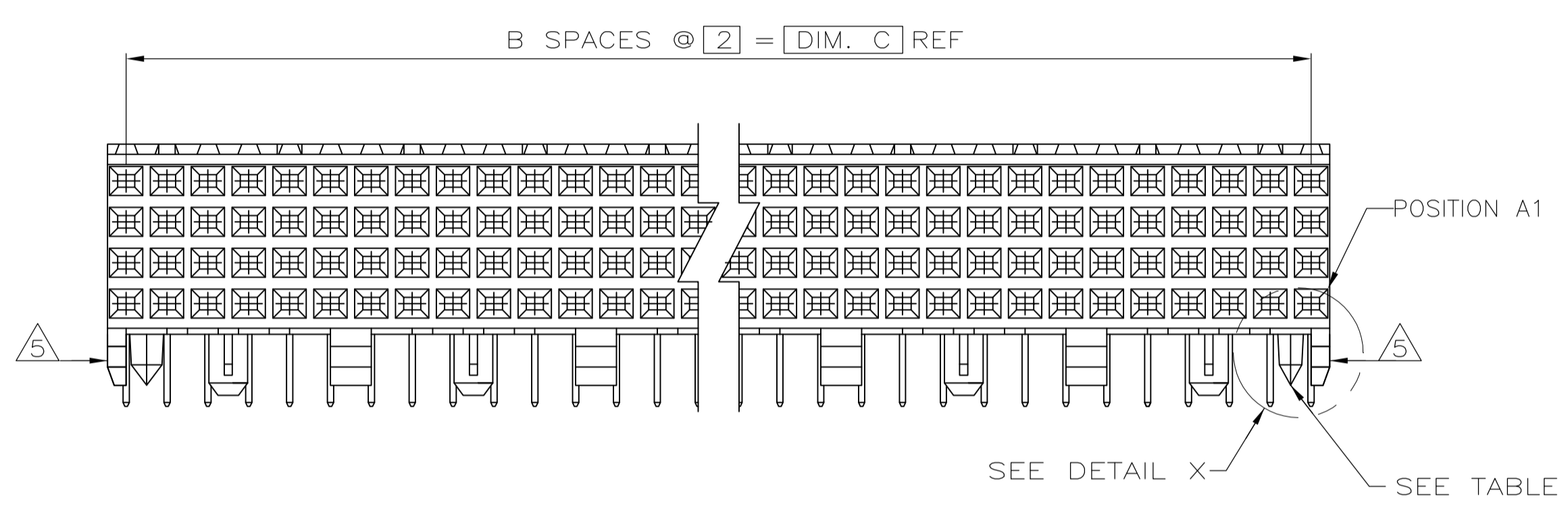
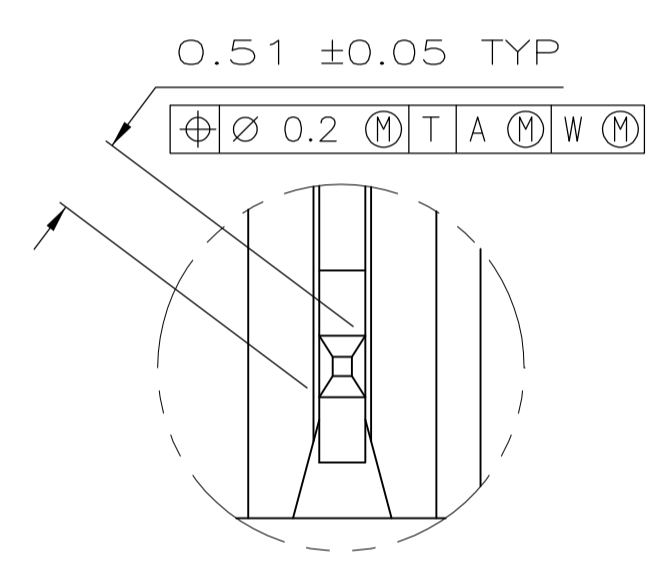


DETAIL X
SCALE 10:1

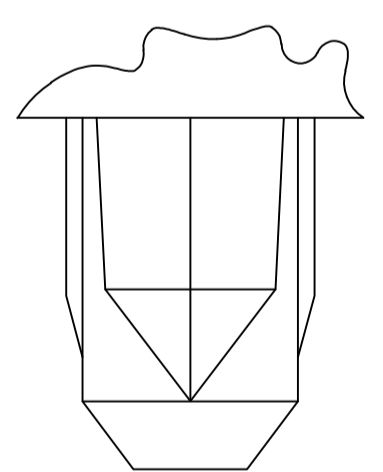
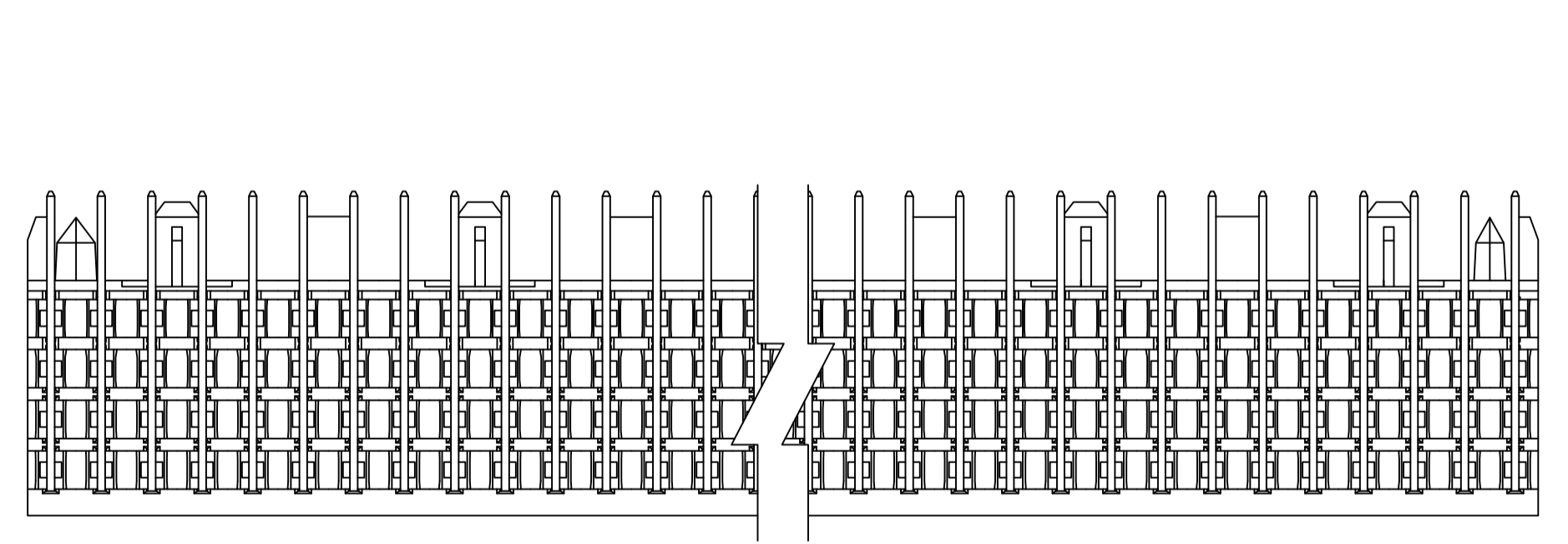
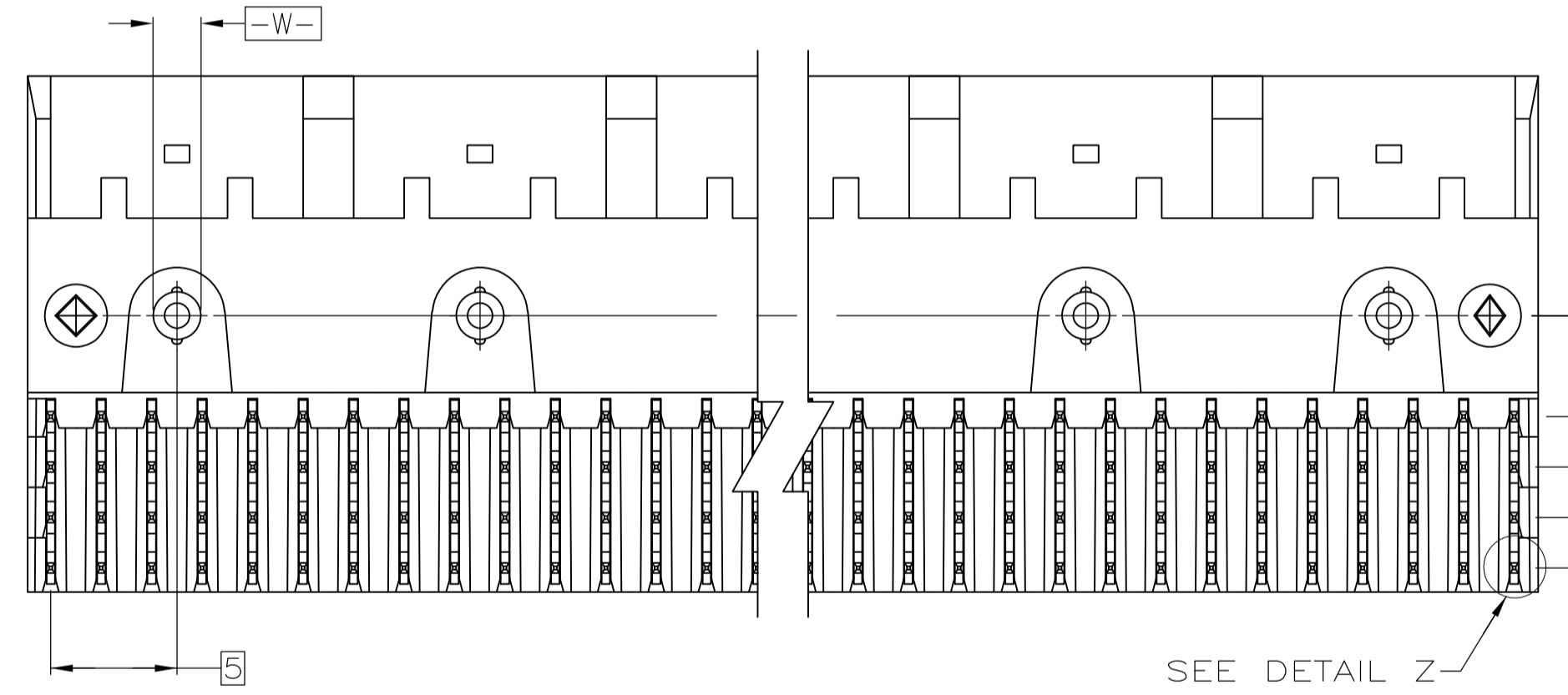
- ① HOUSING MATERIAL: LIQUID CRYSTAL POLYMER.
COLOR: NATURAL.
- ② CONTACT MATERIAL: PHOSPHOR-BRONZE.
- ③ CONTACT FINISH:
UNDERPLATE (ENTIRE CONTACT) -
0.00127 MIN. NICKEL
ON MATING SURFACES -
CONFORMS TO ALL TESTING SPECIFIED FOR TELCORDIA
UNCONTROLLED ENVIRONMENT
ON LEADS -
0.00381 MIN. TIN-LEAD, OVER UNDERPLATE
LUBRICATION (ENTIRE CONTACT):
SURFACE CONDITIONER PER TYCO SPEC 112-1002 AFTER PLATING.
- ④ PART MARKING PER AMP INCORPORATED SPECIFICATION 115-9009, LOCATED
APPROXIMATELY AS SHOWN.
- ⑤ CUSTOMIZED PART, HOUSING MOLDED WITHOUT END GUIDE LUGS.
- ⑥ OBSOLETE PART NUMBER.



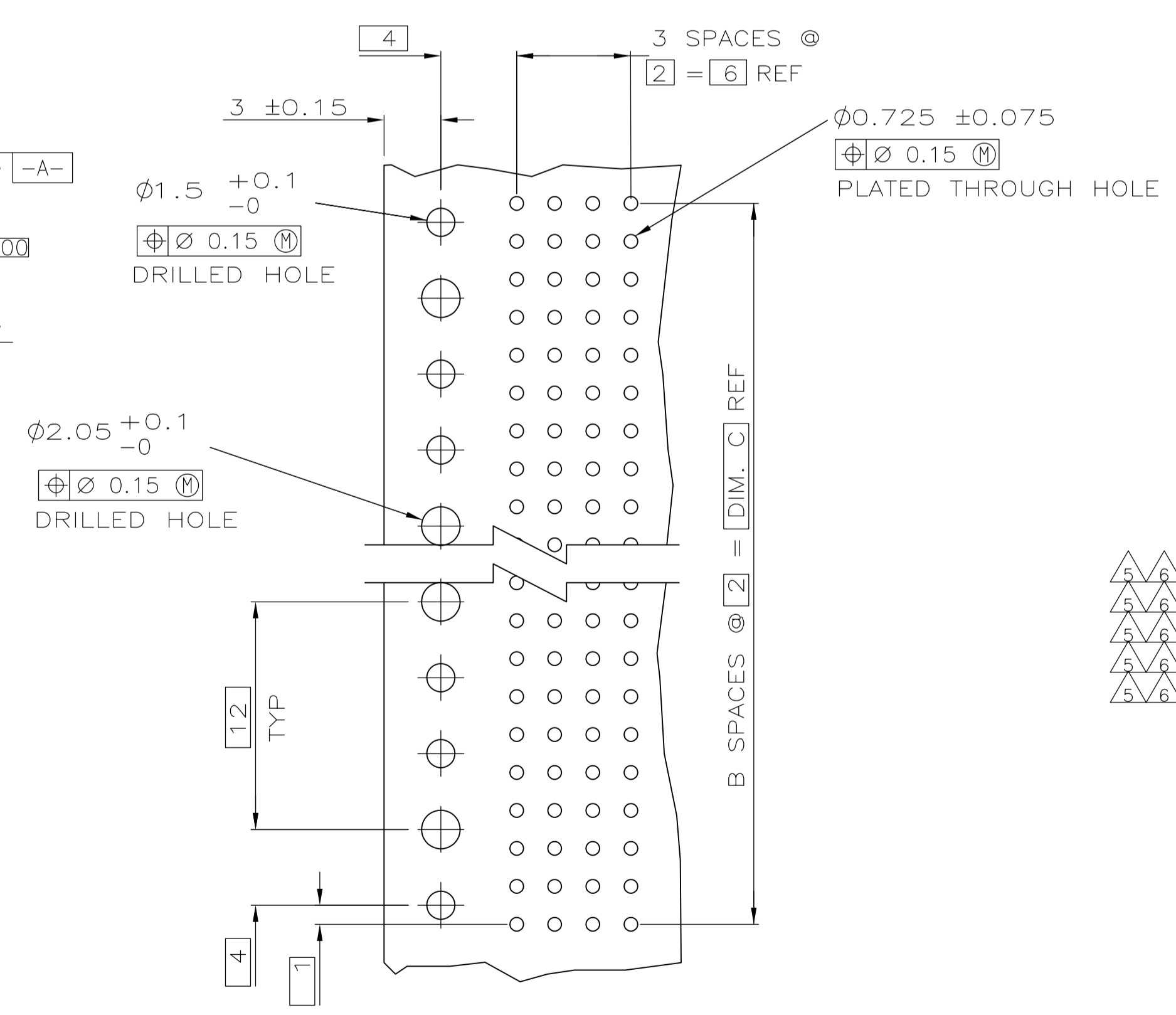
REFER TO DETAIL FOR
COLD HOLD CONFIGURATION



DETAIL Z
SCALE 20:1



TYPICAL COLD HOLD
FOR ALL ASSEMBLIES



RECOMMENDED CIRCUIT PATTERN
PER IPC-D300 TYPE II, CLASS C
(COMPONENT SIDE)

YES	94	47	95.88	③	③	192	2-536510-4
YES	46	23	47.88	③	③	96	2-536510-3
NO	34	17	35.88	③	③	72	1-536510-5
NO	22	11	23.88	③	③	48	1-536510-4
NO	94	47	95.88	③	③	192	1-536510-3
NO	106	53	107.88	③	③	216	1-536510-2
NO	70	35	71.88	③	③	144	1-536510-1
NO	130	65	131.88	③	③	264	1-536510-0
NO	106	53	107.88	③	③	216	536510-9
NO	118	59	119.88	③	③	240	536510-8
NO	82	41	83.88	③	③	168	536510-7
NO	58	29	59.88	③	③	120	536510-6
NO	70	35	71.88	③	③	144	536510-5
NO	94	47	95.88	③	③	192	536510-4
NO	46	23	47.88	③	③	96	536510-3
NO	22	11	23.88	③	③	48	536510-2
YES	10	5	11.88	③	③	24	536510-1
POSITIONING PEGS	C	B	A	FINISH	NO OF POSN	PART NUMBER	

THIS DRAWING IS A CONTROLLED DOCUMENT.

DIMENSIONS: mm	TOLERANCES UNLESS OTHERWISE SPECIFIED:	DIN J. LOCONDR0 09/04/92	APVD S. HEADER 01/26/93	NAME D. BAECHTEL 1/26/93	TYCO ELECTRONICS	Tyco Electronics Corporation Harrisburg, Pa 17105-3608
0 PLC ± -	1 PLC ± -	2 PLC ± .13	3 PLC ± .13	4 PLC ± -	ANGLES ± -	RECEPTACLE ASSEMBLY, SIGNAL MODULE, Z-PACK 2mm FB, 4 ROW, 3.53mm LEAD LENGTH
MATERIAL ① ②	FINISH ③	SIZE A1	CAGE CODE 00779	DRAWING NO. C=536510	RESTRICTED TO	
CUSTOMER DRAWING		SCALE 4:1	SHEET 1 of 1	REV AD2		